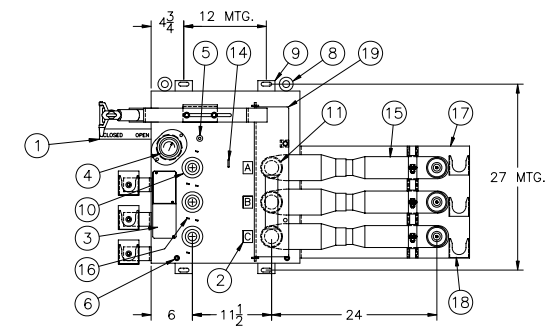
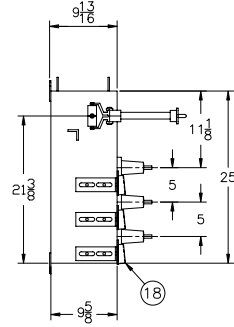
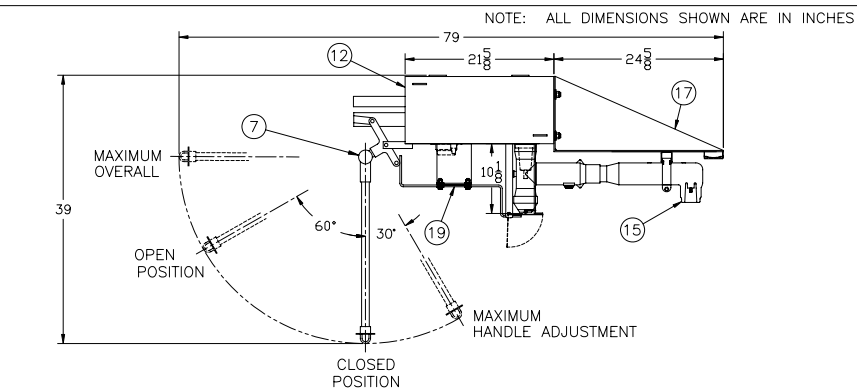


COMPONENT IDENTIFICATION		
ITEM	QTY	DESCRIPTION
1	1	OPEN-CLOSED POSITION INDICATORS WITH PADLOCK PROVISIONS
2	3	PHASE IDENTIFICATION TAGS
3	1	NAMEPLATE WITH RATINGS AND LINE DIAGRAM
4	1	COLOR CODED PRESSURE GAUGE
5	1	SF6 FILL VALVE (SWITCH FACTORY FILLED AT 10 PSIG)
6	2	2/O MAXIMUM GROUND LUGS
7	1	REMOVABLE OPERATING HANDLE C/W ADJUSTABLE HANDLE ADAPTER
8	2	LIFTING EYES
9	4	9/16 X 1 1/2 SLOT MOUNTING PROVISIONS
10	3	200 AMP DEEPWELL BUSHINGS
11	3	600 AMP APPARATUS BUSHINGS
12	1	304L STAINLESS STEEL SWITCH TANK WITH ASA #70 LIGHT GRAY FINISH
13	6	BUSHING PROTECTIVE SHIPPING CAPS
14	1	HANDLE HOOK
15	3	REMOVABLE 15.5kV ENCAPSULATED CURRENT LIMITING FUSE WITH 200A DEEPWELL BUSHING
16	3	HOLD DOWN BAIL TAP PROVISION PER 973A101B (106A064)
17	1	FUSE SUPPORT BRACKET MOUNTED TO SWITCH (3/16" THK. STAINLESS STEEL)
18	6	PARKING STAND
19	1	FUSE COVER & INTERLOCK C/W WARNING LABEL
20		
21		
22		
23		
24		
25		
26		
27		

RATINGS		SWITCH	FUSE	SPECIFICATIONS
MAXIMUM DESIGN VOLTAGE	15.5 kV	15.5 kV		SWITCH PER ANSI C37.71
BIL IMPULSE WITHSTAND	95 kV	125 kV		
AC ONE MINUTE WITHSTAND	35 kV	40 kV		
DC FIFTEEN MINUTE WITHSTAND	66 kV	78 kV		
CORONA EXTINCTION AT 3 PC SENSITIVITY	11 kV	19 kV		
OPEN GAP BIL IMPULSE WITHSTAND **	200 kV			
LOAD INTERRUPTING AND LOOP SWITCHING	600 A			
MAGNETIZING CURRENT SWITCHING	25 A			
CAPACITIVE CURRENT SWITCHING	40 A			
CONTINUOUS CURRENT *	600 A	125A MAX		
EIGHT HOUR OVERLOAD CURRENT *	900 A			BUSHINGS PER ANSI/IEEE 386
ASYMMETRICAL MOMENTARY AND THREE SHOT FAULT CLOSE *	22.5 kA			
SYMMETRICAL ONE SECOND RATING *	15 kA			
600 A. LOAD INTERRUPTING OPERATION ENDURANCE	1000			
OVERLOAD INTERRUPTING CAPACITY	3000 A			
MECHANICAL LIFE OPERATIONS	2000			
CORROSION RESISTANCE PER ASTM-B-117-54 (HOURS)	2000			
MAXIMUM GAS LEAKAGE (cc/SECOND)	10 <sup>-7</sup>			
NORMAL OPERATING PRESSURE RANGE (PSIG)	2 - 15			
FAULT INTERRUPTING CURRENT RMS SYM	-	50 kA		
SF6 BY WEIGHT		1.50 lbs.		COMMERCIAL GRADE SF6 GAS PER ASTM D-2472
* WHEN 200 AMP ELBOWS ARE USED, THE CONTINUOUS CURRENT, OVERLOAD, MOMENTARY AND ONE SECOND RATINGS WILL BE REDUCED. TYPICALLY, 200 AMP ACCESSORIES ARE RATED 200 AMP CONTINUOUS, 300 AMP EIGHT HOUR OVERLOAD, 15 kA ASYMMETRICAL MOMENTARY AND 10 kA SYMMETRICAL FOR 1/2 SECOND.				
** WITH TANK AND ADJACENT PHASES FLOATING				
FUSES PER ANSI C37.40, C37.41, C37.47, AND ANSI/IEEE 386				



## PUFFER PAK® LOAD BREAK SWITCH

LINE DIAGRAM AND BUSHING TYPE

SUBSURFACE SF6 SWITCH  
3-PHASE, 2-WAY WITH 1-SWITCHED WAY  
RATED 15.5 kV, 600 AMP, 22.5 kA ASYM  
ENCAPSULATED CL FUSE RATED 15.5 kV L-G  
40 AMP MAX FUSE SIZE, MTG CODE 6

CATALOG NO. VG6-21-15  
MODEL NO. 26/SP  
WEIGHT: 150 lbs.  
REQ'D. MANHOLE OPENING: 30" DIA.

**CANADA POWER PRODUCTS CORP.**

CPP # \_\_\_\_\_ \* \_\_\_\_\_ DATE \_\_\_\_\_ \* \_\_\_\_\_  
REV/ECN # \_\_\_\_\_ 3 \_\_\_\_\_ DRAWN \_\_\_\_\_ MN \_\_\_\_\_  
ENGINEER \_\_\_\_\_ DATE \_\_\_\_\_

QUOTE  APPROVAL  PRODUCTION