

COMPONENT IDENTIFICATION

ITEM	QTY	DESCRIPTION
1	1	CLOSED-OPEN POSITION INDICATORS WITH PADLOCK PROVISIONS
2	3	PHASE IDENTIFICATION TAGS
3	1	NAMEPLATE WITH RATINGS AND LINE DIAGRAM
4	1	COLOR CODED PRESSURE GAUGE
5	1	SF6 FILL VALVE (SWITCH FACTORY FILLED AT 10 PSIG)
6	2	2/0 AWG MAXIMUM GROUND LUGS
7	1	REMOVABLE OPERATING HANDLES
8	2	LIFTING EYES
9	4	9/16" DIAMETER MOUNTING PROVISIONS FOR SWITCH
10	0	200 AMP DEEPWELL BUSHINGS
11	6	600 AMP BUSHINGS
12	1	STAINLESS STEEL SWITCH TANK WITH COAL TAR EPOXY FINISH
13	6	BUSHING PROTECTIVE SHIPPING CAPS
14	1	PRESSURE SWITCH (2 PSIG)
15		
16		
17		
18		
19		
20		
21		
22		
23		
24		
25		
26		
27		

SWITCH RATINGS

MAXIMUM DESIGN VOLTAGE	15.5 KV
BIL IMPULSE WITHSTAND	95 KV
AC ONE MINUTE WITHSTAND	35 KV
DC FIFTEEN MINUTE WITHSTAND	66 KV
CORONA EXTINCTION AT 3 PC SENSITIVITY	11 KV
OPEN GAP BIL IMPULSE WITHSTAND **	200 KV
LOAD INTERRUPTING AND LOOP SWITCHING	600 A
MAGNETIZING CURRENT SWITCHING	25 A
CAPACITIVE CURRENT SWITCHING	40 A
CONTINUOUS CURRENT *	600 A
EIGHT HOUR OVERLOAD CURRENT *	900 A
ASYMMETRICAL MOMENTARY AND THREE SHOT FAULT CLOSE *	22.5 KA
SYMMETRICAL ONE SECOND RATING *	15 KA
NORMAL OPERATING PRESSURE RANGE (PSIG)	2 - 15
OVERLOAD INTERRUPTING CAPACITY	3000 A
MECHANICAL LIFE OPERATIONS	2000
CORROSION RESISTANCE PER ASTM-B-117-54 (HOURS)	2000
MAXIMUM GAS LEAKAGE (cc/SECOND)	10 ⁻⁷

* WHEN 200 AMP ELBOWS ARE USED, THE CONTINUOUS CURRENT, OVERLOAD, MOMENTARY AND ONE SECOND RATINGS WILL BE REDUCED. TYPICALLY, 200 AMP ACCESSORIES ARE RATED 200 AMP CONTINUOUS, 300 AMP EIGHT HOUR OVERLOAD, 15 KA ASYMMETRICAL MOMENTARY AND 10 KA SYMMETRICAL FOR 1/2 SECOND.
 ** WITH TANK AND ADJACENT PHASES FLOATING

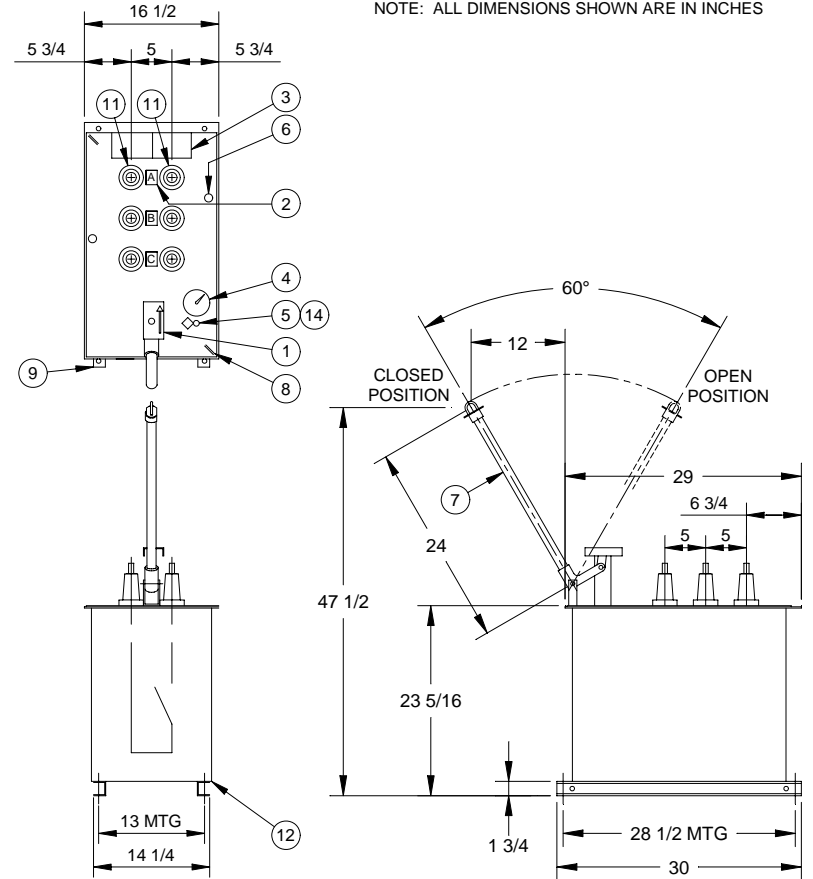
SPECIFICATIONS

SWITCH PER ANSI C37.71

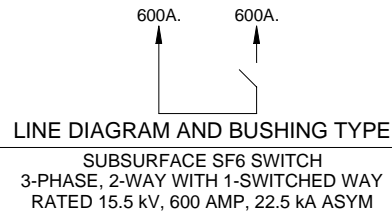
 BUSHINGS PER ANSI/IEEE 386

 COMMERCIAL GRADE SF6 GAS PER ASTM D-2472

NOTE: ALL DIMENSIONS SHOWN ARE IN INCHES



PUFFER PAK® LOAD BREAK SWITCH



CATALOG NO. SG6-21-15
 MODEL NO. 66/LPA
 WEIGHT : 170 lbs.
 REQ'D. MANHOLE OPENING : 32" DIA.

CANADA POWER PRODUCTS CORP.

CPP # _____ K76279 ITEM # _____ 1
 REVISION _____ DATE _____
 ENGINEER _____ DATE _____
 QUOTE APPROVAL PRODUCTION