

COMPONENT IDENTIFICATION

ITEM	QTY	DESCRIPTION
1	6	CLOSED-OPEN POSITION INDICATORS WITH PADLOCK PROVISIONS
2	3	PHASE IDENTIFICATION TAGS
3	1	NAMEPLATE WITH RATINGS AND LINE DIAGRAM
4	1	COLOR CODED PRESSURE GAUGE
5	1	SF6 FILL VALVE (SWITCH FACTORY FILLED AT 10 PSIG)
6	6	2/0 AWG MAXIMUM GROUND LUGS
7	1	REMOVABLE OPERATING HANDLE WITH ADJUSTABLE ADAPTER & STORAGE PROVISION
8	4	LIFTING EYES FOR SWITCH
9	1	GALVANIZED SWITCH FRAME WITH (4) 7/16 DIA MOUNTING PROVISIONS
10	0	200 AMP DEEPWELL BUSHINGS
11	18	600 AMP BUSHINGS
12	1	304L STAINLESS STEEL SWITCH TANK WITH ASA #70 LIGHT GRAY FINISH
13	2	ENCLOSURE GROUNDING PROVISION WITH 9/16" DIAMETER HOLES
14	1	REMOVABLE PADMOUNT ENCLOSURE WITH DOUBLE DOORS AND HINGED TOP. INCLUDES (4) 5/8" DIAMETER MOUNTING BRACKETS, (4) REMOVABLE LIFTING BRACKETS, 3 POINT LATCH, PENTAHEAD BOLT AND OPENING STAYS FOR DOORS AND TOP.
15	6	MOTOR OPERATOR MOUNTING PROVISIONS (STUDS ONLY)
16	6	WINDOWS FOR VISIBLE BREAK AND POSITION INDICATING PLAQUE
17	18	BUSHING PROTECTIVE SHIPPING CAPS
18		
19		
20		
21		
22		
23		
24		
25		
26		
27		
28		
29		

SWITCH RATINGS

MAXIMUM DESIGN VOLTAGE	15.5 KV
BIL IMPULSE WITHSTAND	95 KV
AC ONE MINUTE WITHSTAND	35 KV
DC FIFTEEN MINUTE WITHSTAND	66 KV
CORONA EXTINCTION AT 3 PC SENSITIVITY	11 KV
OPEN GAP BIL IMPULSE WITHSTAND **	200 KV
LOAD INTERRUPTING AND LOOP SWITCHING	600 A
MAGNETIZING CURRENT SWITCHING	25 A
CAPACITIVE CURRENT SWITCHING	40 A
CONTINUOUS CURRENT *	630 A
EIGHT HOUR OVERLOAD CURRENT *	900 A
ASYMMETRICAL MOMENTARY AND THREE SHOT FAULT CLOSE *	40 KA
SYMMETRICAL ONE SECOND RATING *	25 KA
NORMAL OPERATING PRESSURE RANGE (PSIG)	2 - 15
OVERLOAD INTERRUPTING CAPACITY	3000 A
MECHANICAL LIFE OPERATIONS	2000
CORROSION RESISTANCE PER ASTM-B-117-54 (HOURS)	2000
MAXIMUM GAS LEAKAGE (cc/SECOND)	10 ⁻⁷

SPECIFICATIONS

SWITCH PER ANSI C37.71 AND ANSI C37.72

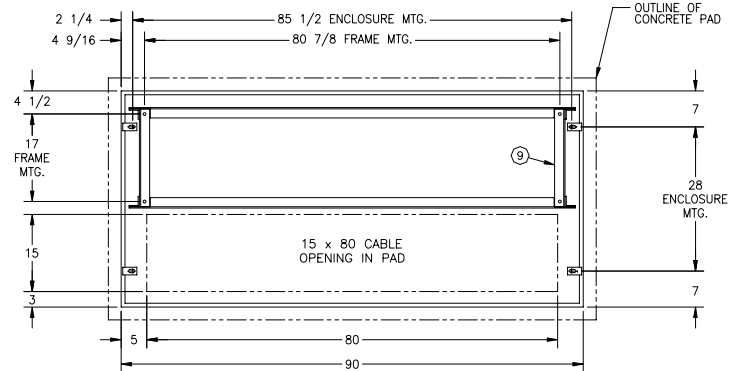
BUSHINGS PER ANSI/IEEE 386

COMMERCIAL GRADE SF6 GAS PER ASTM D-2472

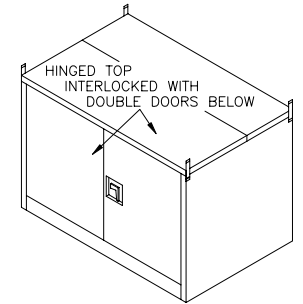
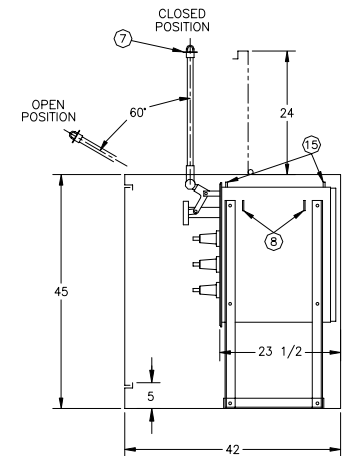
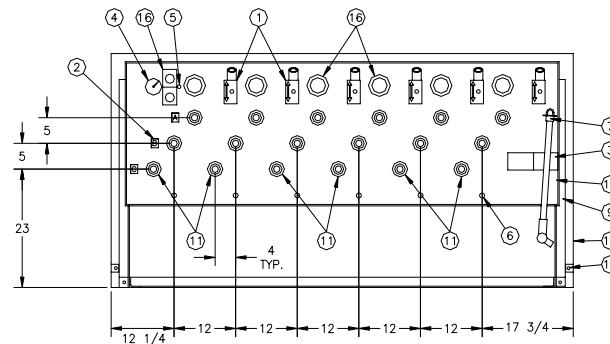
12 GAUGE MILD STEEL, TAMPER RESISTANT PADMOUNT ENCLOSURE PER ANSI C37.72 & ANSI C57.12.28 PAINTED GREEN (7 GY 3.29/1.5) WITH STAINLESS STEEL HARDWARE

* WHEN 200 AMP ELBOWS ARE USED, THE CONTINUOUS CURRENT, OVERLOAD, MOMENTARY AND ONE SECOND RATINGS WILL BE REDUCED. TYPICALLY, 200 AMP ACCESSORIES ARE RATED 200 AMP CONTINUOUS, 300 AMP EIGHT HOUR OVERLOAD, 15 KA ASYMMETRICAL MOMENTARY AND 10 KA SYMMETRICAL FOR 1/2 SECOND.

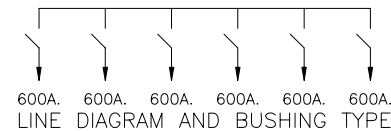
** WITH TANK AND ADJACENT PHASES FLOATING



PLAN VIEW



PUFFER PAK® LOAD BREAK SWITCH



PADMOUNT SF6 SWITCH
3-PHASE, 6-WAY WITH 6-SWITCHED WAYS
RATED 15.5 KV, 600 AMP, 40 KA ASYM

CATALOG NO. PG6-66-15/40
MODEL NO. 666666/VB
WEIGHT: 1,700 lbs.

CANADA POWER PRODUCTS CORP.

CPP # 801C1289 DATE 22MAR00
REV/ECN # 2/3338 DRAWN RVS
ENGINEER _____ DATE _____
QUOTE APPROVAL PRODUCTION

NOTE:
ALL DIMENSIONS SHOWN ARE IN INCHES